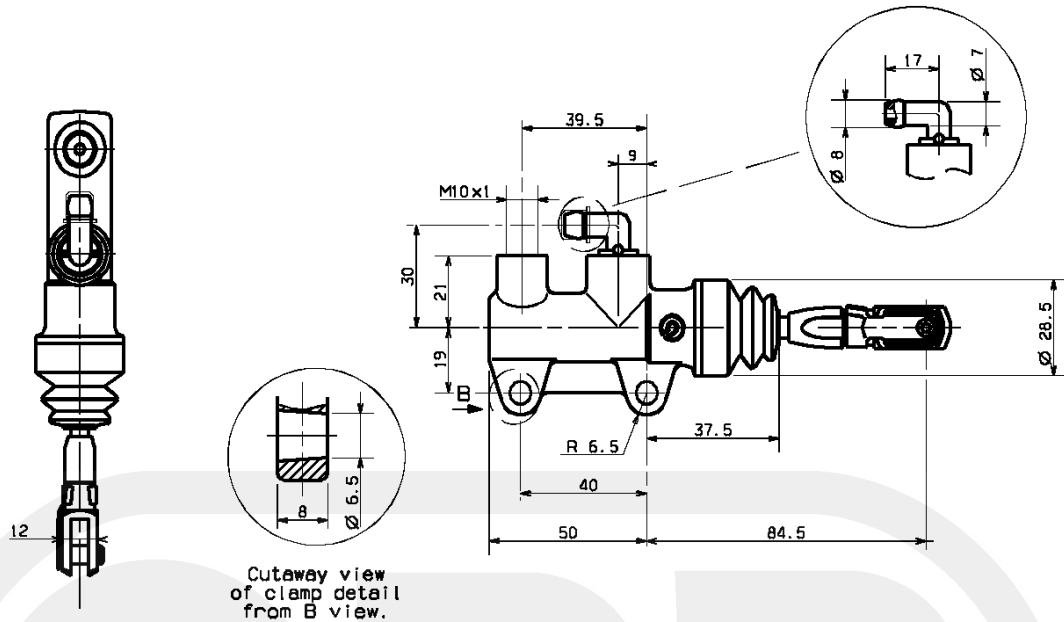




REAR MASTER CYLINDER

PS 13
 10.4776.17



Cutaway view of clamp detail from B view.

DESCRIPTION

Rear master cylinder with push rod.
 construction material: aluminium alloy.
 Operating fluid:
 brake fluid DOT 4.

Master cylinder BODY color:
 silver painting

TECHNICAL CHARACTERISTICS

Piston diameter: 13.0 mm
 Piston and push rod clearance with assembled master cylinder: 1.0 mm
 Weight: 0.120 Kg

AVAILABLE SPARE PARTS

SPARE PARTS PUMP CODE	PIPE FITTING	BOOT	PUSH-ROD
10.4776.17	110.3127.20	110.3741.20	110.4266.76

Indicating informations subject to modifications.
 For further specifications contact Technical Section.

LAST UPDATE: 24/11/2003